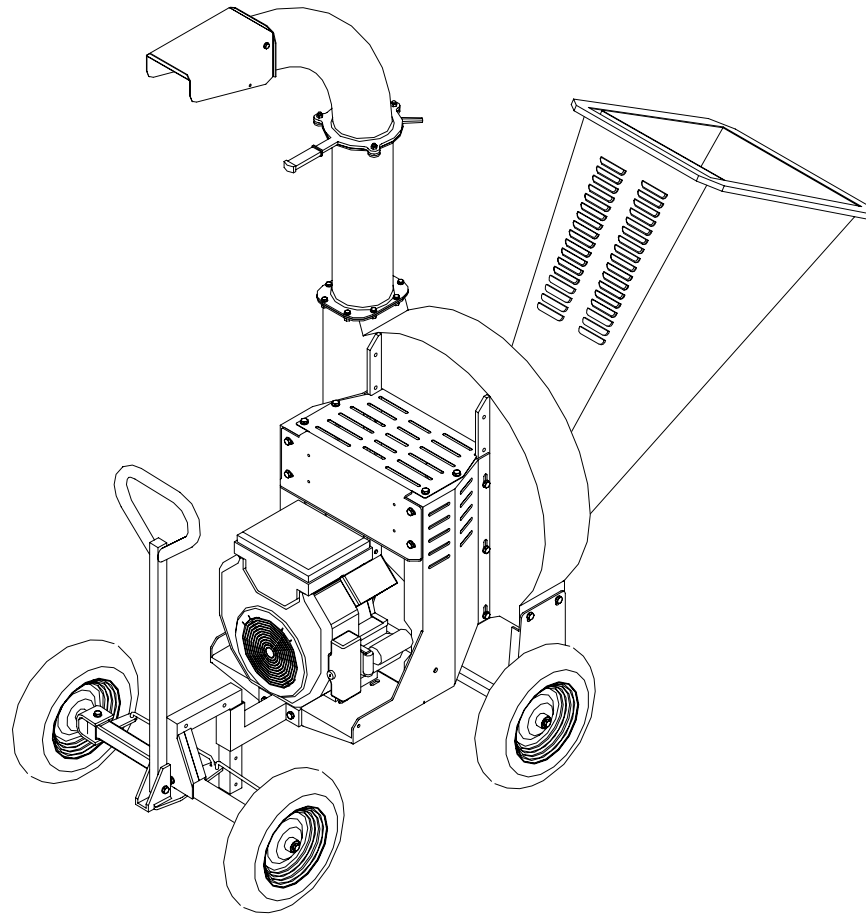


BIO 190



Rev.1-2008

BIO 190

Table 1 - Basic machine

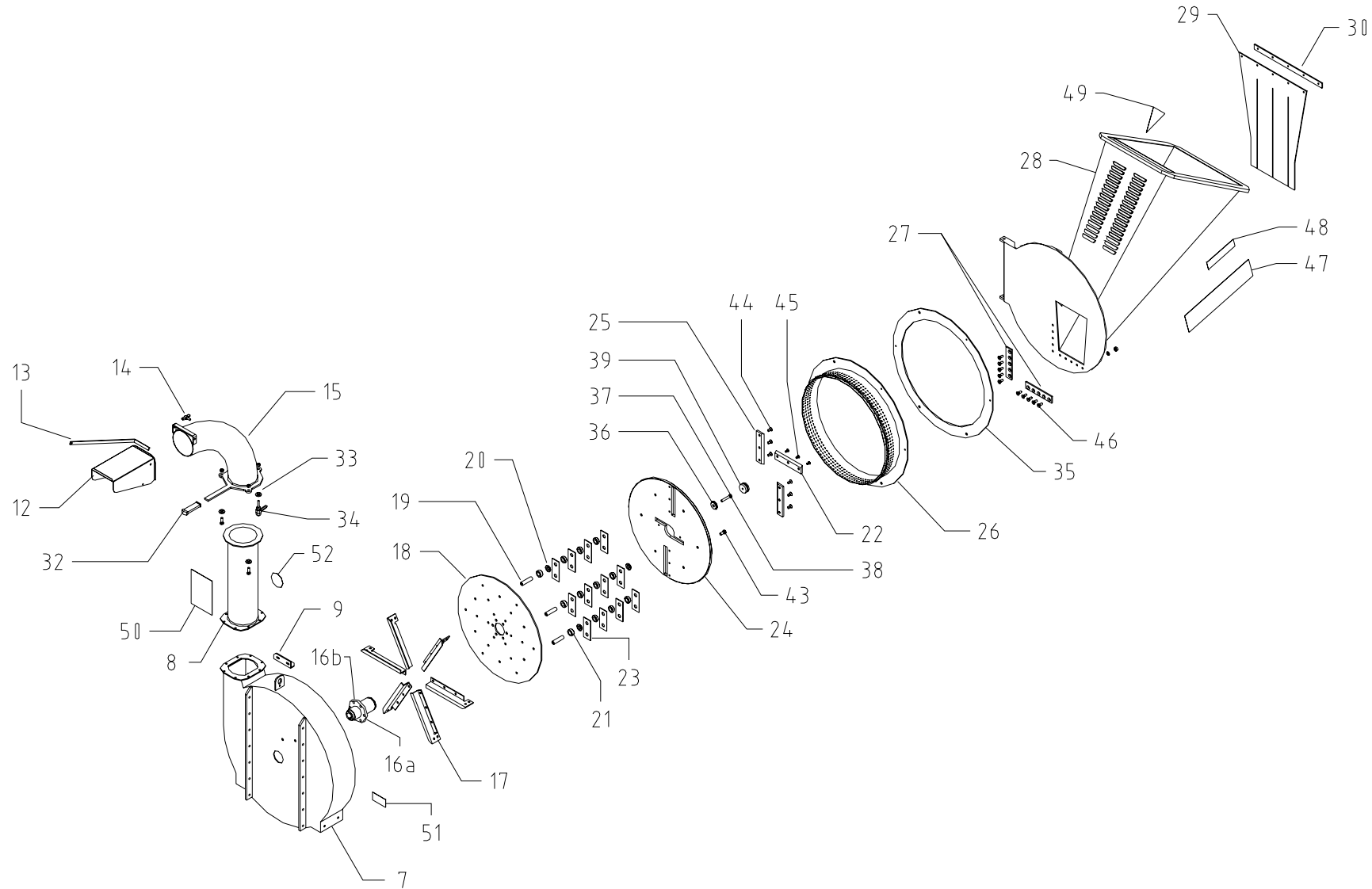


Pos.	Description	Q.ty	Code	Pos.	Description	Q.ty	Code
7	Housing	1	B19001007	47	Adhesive	2	000000006
8	Straight outlet pipe	1	B19001008	48	Adhesive	1	B19001048
9	Hopper hinge angle	1	B19001009	49	Adhesive	2	000000004
12	Cover	1	B19001012	50	Adhesive	1	000000003
13	Cover adjusting bar	1	B19001013	51	Adhesive	1	000000041
14	Wing nut M 8	1	B19001014	52	Adhesive	1	000000008
15	Elbow	1	B19001015				
16a	Hub (B)	1	B19001016A				
16b	Hub (T)	1	B19001016B				
17	Paddle-wheel	6	B19001017				
18	Rear chipping disk	1	B19001018				
19	Blade holder pin	6	B19001019				
20	Spacer H = 6	6	B19001020				
21	Spacer H = 12	18	B19001021				
22	Central welding blade	1	B19001022				
23	Hammer	24	B19001023				
24	Front chipping disk	1	B19001024				
25	Side chipping blade	2	B19001025				
26	Screen	1	B19001026				
27	Counterblade	2	B19001027				
28	Hopper	1	B19001028				
29	Hopper protection rubber	1	B19001029				
30	Rubber fixing plate	1	B19001030				
32	Handle 25x8	1	B19001032				
33	Spacer	3	B19001033				
34	Spring handle	1	B19001034				
35	Ring*	1	B19001035				
36	Hub washer	1	B19001036				
37	Screw TE (B)	1	B19001037				
38	Screw TE (T)	1	B19001038				
39	Aluminium cover	1	B19001039				
43	Screw TE M12x20	12	500030012				
44	Screw TSPEI M10x20	6	500018810				
45	Screw TSPEI M8x15	3	500019608				
46	Screw TSPEI M10x25	5	500001025				

*Optional item

BIO 190

Table 1 - Basic machine



BIO 190

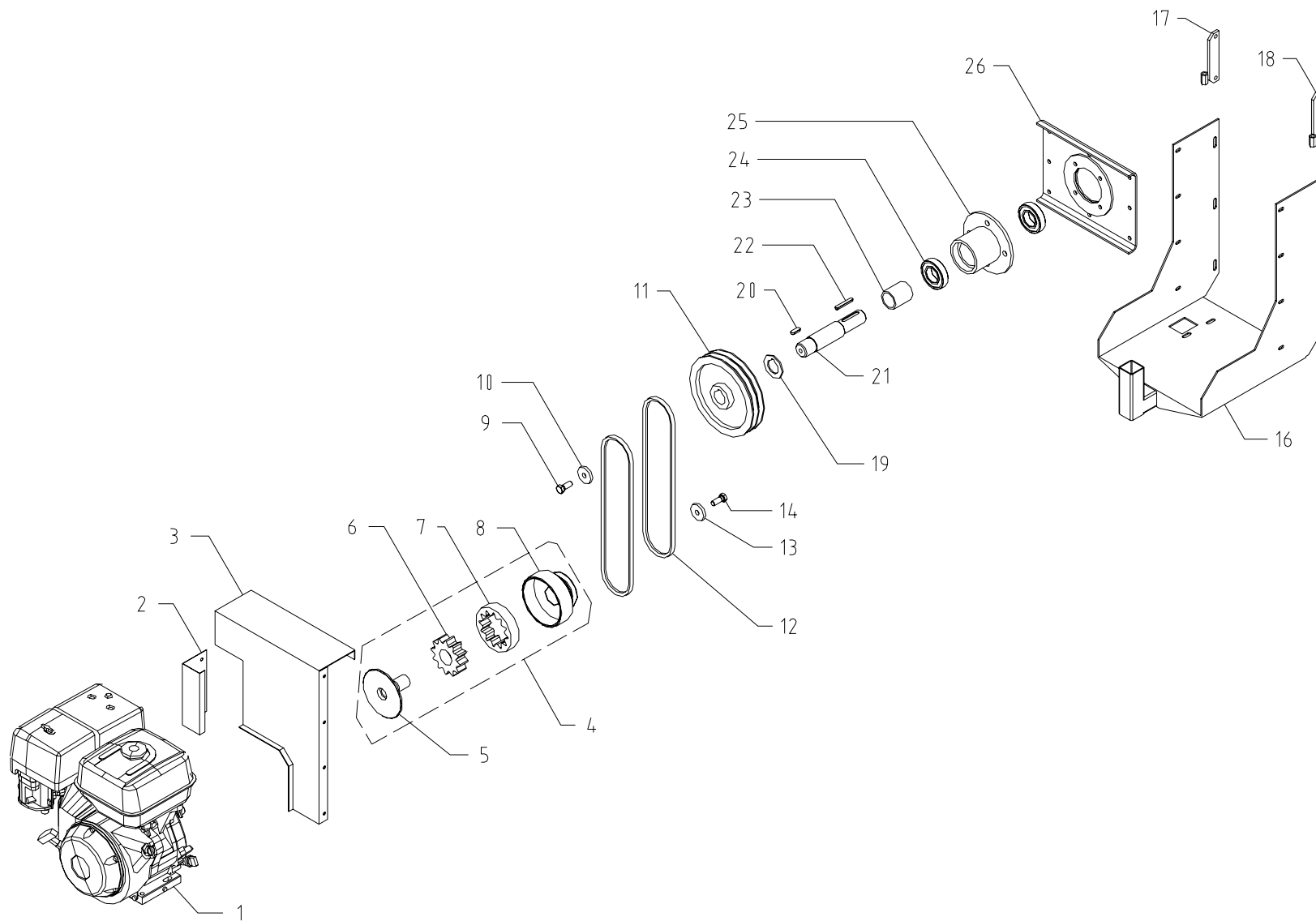
Table 2 - Transmission 13 HP



Pos.	Description	Q.ty	Code
1	Engine Honda GX 390	1	B19002001
2	Protection plate	1	B19002002
3	Protection cover	1	B19002003
4	Centrifugal clutch 2A 138	1	B19002004
5	Drum wheel	1	B19002005
6	Aluminium star	1	B19002006
7	Rubber ring Ø 138	1	B19002007
8	Half-bearing with pulley	1	B19002008
9	Screw	1	B19002009
10	Stop washer	1	B19002010
11	Pulley 2 SPA 224	1	B19002011
12	Belt A-38	2	B19002012
13	Stop washer	1	B19002013
14	Screw UNF	1	B19002014
16	Engine support	1	B19002016
17	Plate sx	1	B19002017
18	Plate dx	1	B19002018
19	Spacer sp 4	1	B19002019
20	Key	1	B19002020
21	Transmission shaft	1	B19002021
22	Key	1	B19002022
23	Spacer H=64	1	B19002023
24	Bearing	2	B19002024
25	Transmission flange	1	B19002025
26	Engine fixing plate	1	B19002026

BIO 190

Table 2 - Transmission 13 HP

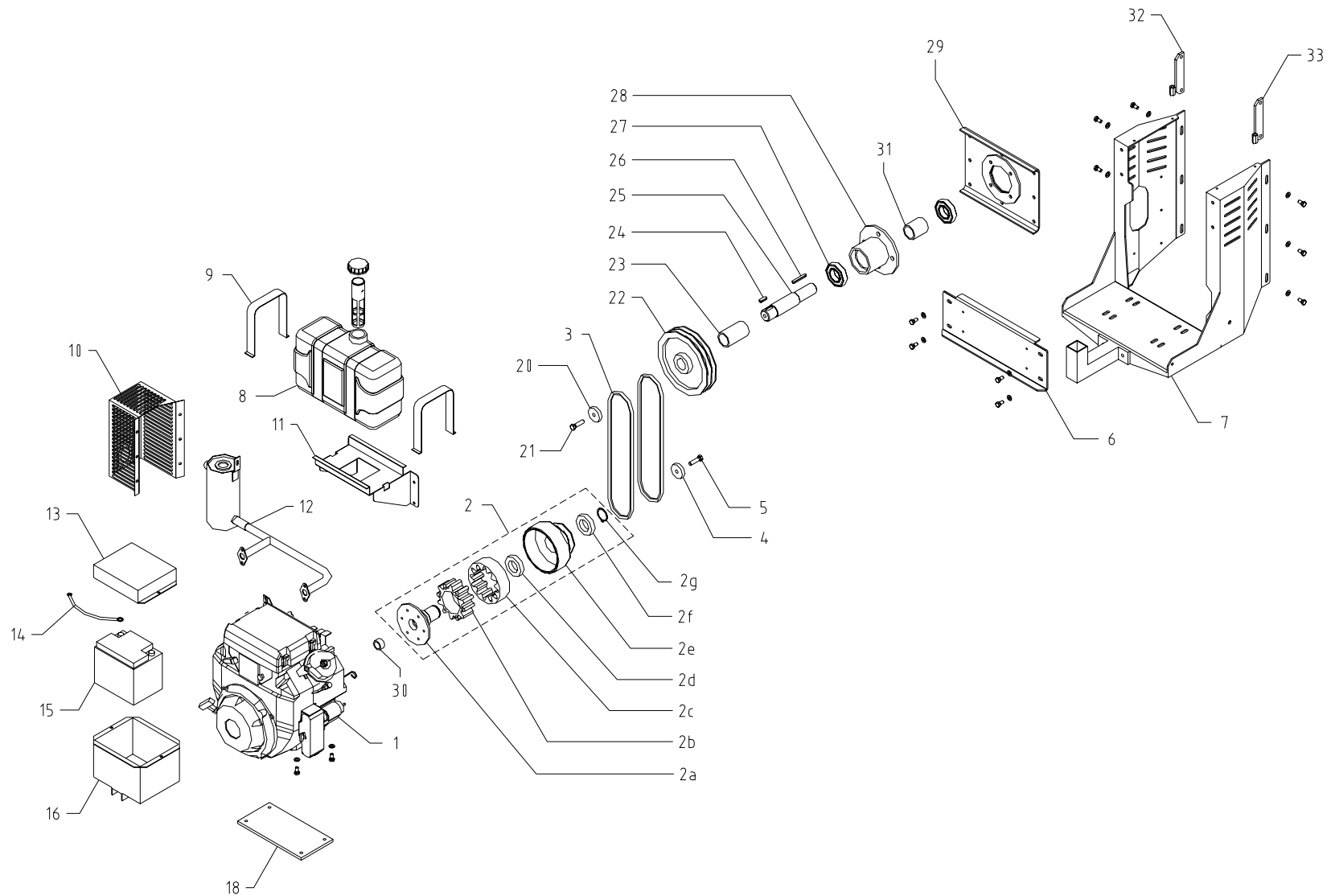


BIO 190**Table 3 - Transmission 20 HP**

Pos.	Description	Q.ty	Code	Pos.	Description	Q.ty	Code
1	Engine Honda GX 620	1	B19003001	31	Spacer H=64	1	B19002023
2	Centrifugal clutch Ø155	1	B19003002	32	Plate SX	1	B19003032
2a	Drum wheel	1	B19003002a	33	Plate DX	1	B19003033
2b	Aluminium star	1	B19003002b				
2c	Rubber ring Ø155	1	B19003002c				
2d	Bearing	1	B19003002d				
2e	Half-bearing with pulley	1	B19003002e				
2f	Bearing	1	B19003002f				
2g	Seeger ring	1	B19003002g				
3	Belt SPB-41	2	B19003003				
4	Stop washer	1	B19003004				
5	Screw UNF	1	B19003005				
6	Protection cover	1	B19003006				
7	Engine support	1	B19003007				
8	Patrol tank	1	B19003008				
9	Tank clamp	2	B19003009				
10	Muffler protection	1	B19003010				
11	Tank support	1	B19003011				
12	Muffler	1	B19003012				
13	Battery cover	1	B19003013				
14	Cattery cable + / -	2	B19003014				
15	Battery	1	B19003015				
16	Battery box	1	B19003016				
18	Engine plate	1	B19003018				
20	Stop washer	1	B19003020				
21	Screw M 14	1	B19003021				
22	Pulley SPB 224	1	B19003022				
23	Spacer H=94	1	B19003023				
24	Key	1	B19003024				
25	Transmission shaft	1	B19003025				
26	Key	1	B19003026				
27	Bearing 6209	2	B19003027				
28	Transmission flange	1	B19003028				
29	Engine fixing plate	1	B19003029				
30	Spacer Ø26	1	B19003030				

BIO 190

Table 3 - Transmission 20 HP



BIO 190

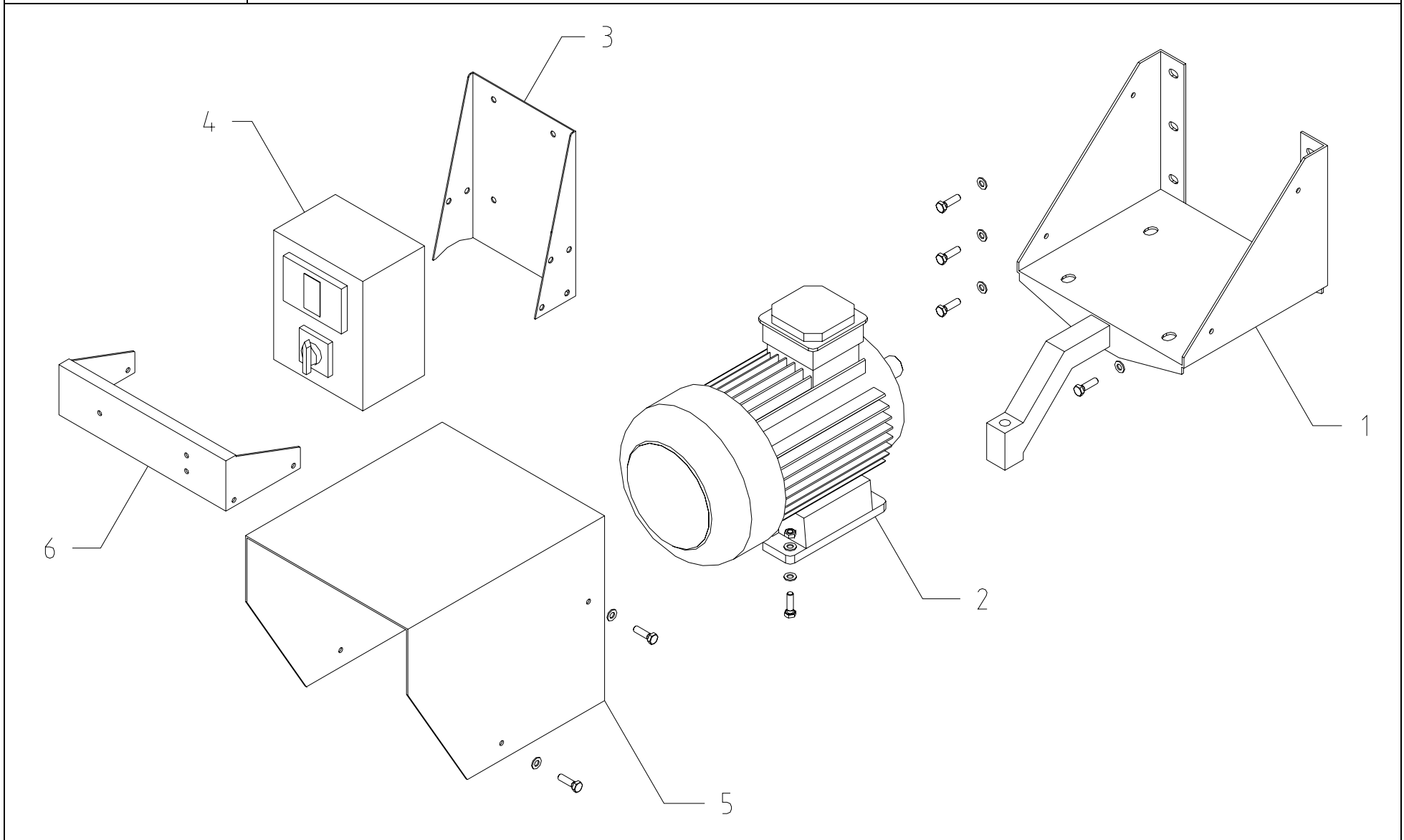
Table 4 - Electric transmission



Pos.	Description	Q.ty	Code
1	Motor support	1	B19004001
2	Electric motor	1	B19004002
3	Electric panel support	1	B19004003
4	Electric panel	1	B19004004
5	Motor protection	1	B19004005
6	Support	1	B19004006

BIO 190

Table 4 - Electric transmission



BIO 190

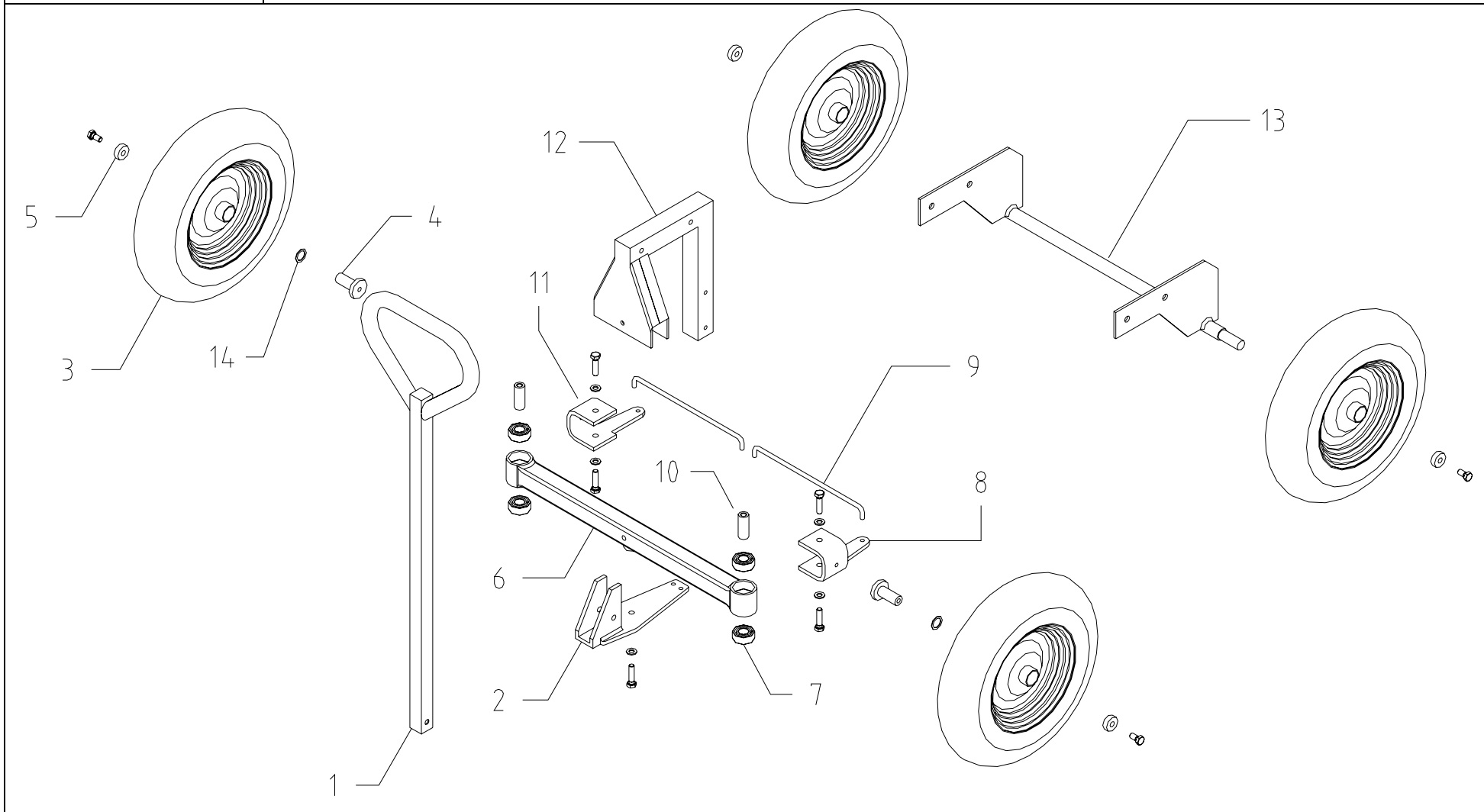
Table 5 - 4 wheels trailer



Pos.	Description	Q.ty	Code
1	Drawbar	1	B19005001
2	Drawbar support	1	B19005002
3	Wheel 3.50-8	4	B19005003
4	Pin	2	B19005004
5	Washer ϕ 10x30	4	B19005005
6	Front axle	1	B19005006
7	Bearing	4	B19005007
8	Wheel support SX	1	B19005008
9	Pin	2	B19005009
10	Pin	2	B19005010
11	Wheel support DX	1	B19005011
12	Axle support	1	B19005012
13	Rear axle	1	B19005013
14	Spacer ϕ 20	2	B19005014

BIO 190

Table 5 - 4 wheels trailer



BIO 190

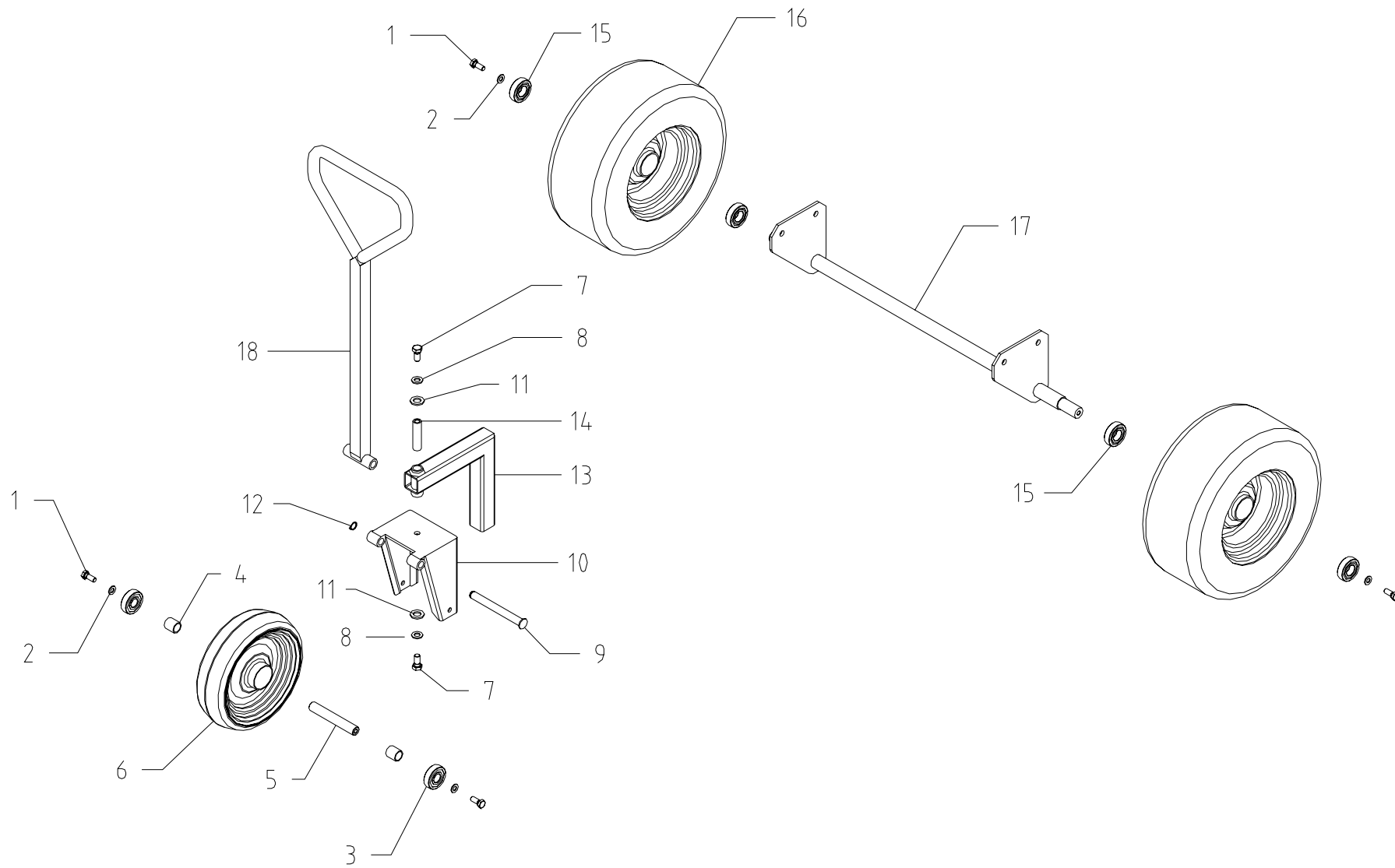
Table 6 - 3 wheels trailer



Pos.	Description	Q.ty	Code
1	Hex. screw M 10	4	B19006001
2	Washer Ø 10	4	B19006002
3	Bearing 6304	2	B19006003
4	Front wheel spacer	2	B19006004
5	Pin Wheel	1	B19006005
6	Front wheel	1	B19006006
7	Hex. screw M 12	4	B19006007
8	Washer Ø 12	4	B19006008
9	Pin Front wheel	1	B19006009
10	Forcella Front wheel	1	B19006010
11	Washer Ø 16x3	2	B19006011
12	Snap ring	1	B19006012
13	Tubo porta Front wheel	1	B19006013
14	Pin per forcella	1	B19006014
15	Bearing 6205	4	B19006015
16	Front wheel	2	B19006016
17	Axle	1	B19006017
18	Shaft	1	B19006018

BIO 190

Table 6 - 3 wheels trailer



BIO 190

Table 7 - PTO transmission



Pos.	Description	Q.ty	Code
1	PTO cover	1	B19007001
2	Comer reduction gear	1	B19007002
3	Reduction gear fixing plate	1	B19007003
4	Leg	1	B19007004
5	Bearing 6205	4	B19007005
6	Framework for PTO version	1	B19007006
7	Wheel	2	B19007007
8	Spring handle	1	B19007008

BIO 190

Table 7 - PTO transmission

